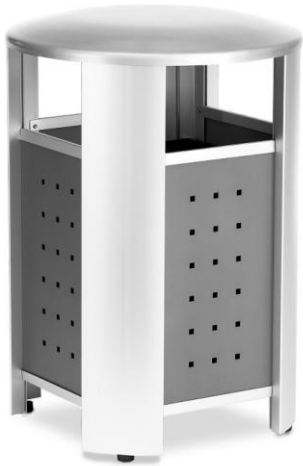




211 North Lindbergh Blvd.  
 St. Louis, MO 63141  
 800.231.1327 tel. | 314.754.0835 fax  
[specify@anovafurnishings.com](mailto:specify@anovafurnishings.com)  
[anovafurnishings.com](http://anovafurnishings.com)

**RT2000 — Signature 20-Gallon Trash Receptacle with Powder Coated Steel Panels**

20-gallon trash receptacle with aluminum corner posts, steel panels, steel contour top and plastic liner



**Material**

The 20-gallon receptacle is 38.17" tall and constructed using aluminum corner posts with 14-gauge, perforated steel side panels. The panels have a .5" square perforated design. The receptacle features a 12.53" wide x 7.88" tall opening on each side for easy trash disposal.

The contour top is constructed of galvanized spun steel and is secured to the receptacle body with two 8" braided nylon straps. The top lifts off for easy emptying.

The receptacle is designed to be portable for flexibility or surface mounted to prevent movement; optional surface mount kits are available. The legs have rubber feet to protect the floor or supporting surface. The receptacle includes a reusable plastic liner made of black high-density polyethylene.

**Finish**

Fade-resistant, powder coated steel top, steel side panels and black aluminum corner posts feature a state-of-the-art primer proven to prevent rusting. Treated components exceed the industry standard by 34% in testing by independent sources. Aluminum corner posts also available in anodized aluminum.

**Color**

See website or sales representative for color choices.

**Assembly**

The receptacle ships fully assembled and ready for use. Using the optional hold down kit may require some assembly.

**Maintenance**

The product is virtually maintenance-free and requires only periodic cleaning with a sponge and a solution of mild detergent and water to remove surface dirt. Do not clean with solvent or petroleum base products.

**Warranty**

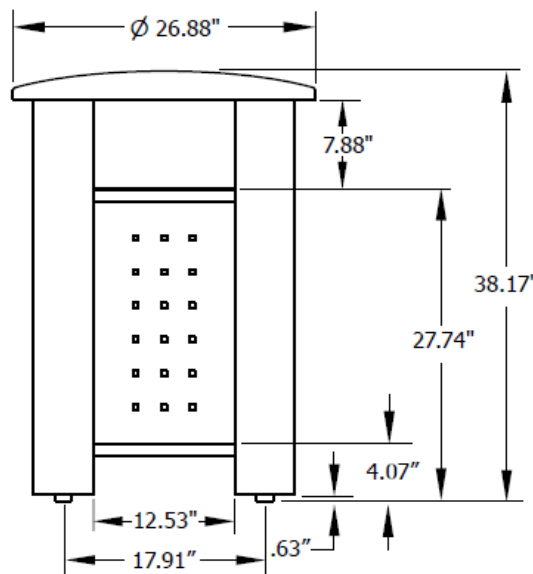
20-year limited structural warranty with 7-year finish warranty against fading from the date of purchase. See full details on multi-year warranties for components at [www.anovafurnishings.com/warranty.aspx](http://www.anovafurnishings.com/warranty.aspx).

**Replacement Parts**

Black Plastic Liner R-PCS32PLR

**Accessories**

Hold Down Kit RHTMHL D



**SHIPPING INFORMATION**

Unit Weight	Unit Shipping Wt. UPS	Unit Shipping Wt. Truck (1+ Unit)	Unit Ship Size w/Pallet	Max Units Per Pallet	Pallet Size/Wt.	Total No. Pkgs.	Shipping Class
69 lbs.	N/A	79 lbs./unit	17 cu. ft.	N/A	N/A	1	125