



211 North Lindbergh Blvd.
 St. Louis, MO 63141
 800.231.1327 tel. | 314.754.0835 fax
specify@anovafurnishings.com
anovafurnishings.com

RC4000 — Signature 4' Contour Bench

4' contour bench with perforated steel seat and side panels and aluminum portable/surface mount legs

Material

The 4' contour bench is constructed using aluminum leg posts with 14-gauge perforated steel contour seat and end panels. Seat and end panels have a .5" square perforated design. The steel seat is 48" long with an overall bench length of 59.01". The bench seat will support 200 lbs. per linear foot.

The leg posts are made of formed aluminum and have plastic caps to protect the floor or supporting surface.

The bench is designed to be portable for flexibility or surface mounted to prevent movement; surface mount hold down kits are included.

Finish

Fade-resistant, powder coated aluminum and steel components feature a state-of-the-art primer proven to prevent rusting. Treated components exceed the industry standard by 34% in testing by independent sources.

Color

See website or sales representative for color choices.

Assembly

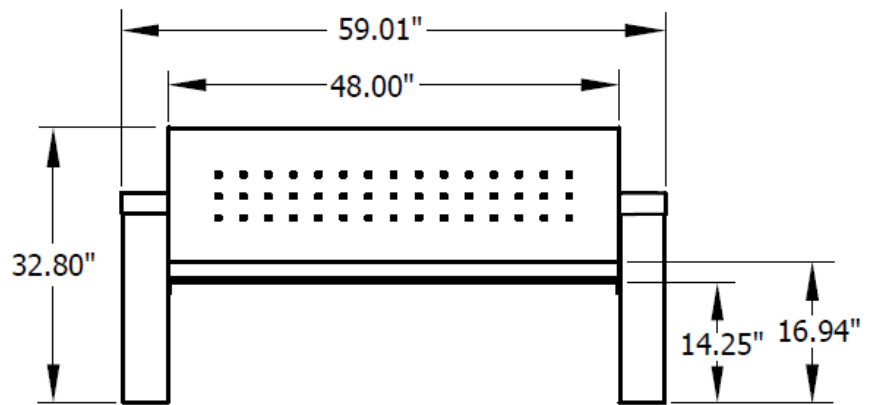
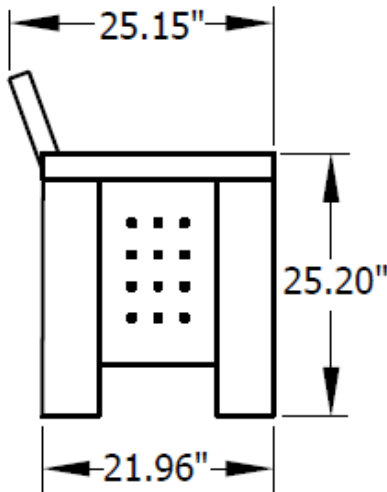
The bench requires some assembly. Stainless steel assembly hardware is included.

Maintenance

The product is virtually maintenance-free and requires only periodic cleaning with a sponge and a solution of mild detergent and water to remove surface dirt. Do not clean with solvent or petroleum base products.

Warranty

20-year limited structural warranty with 7-year finish warranty against fading from the date of purchase. See full details on multi-year warranties for components at www.anovafurnishings.com/warranty.aspx.



SHIPPING INFORMATION

Unit Weight	Unit Shipping Wt. UPS	Unit Shipping Wt. Truck (1+ Unit)	Unit Ship Size w/Pallet	Max Units Per Pallet	Pallet Size/Wt.	Total No. Pkgs.	Shipping Class
119 lbs.	N/A	119 lbs./unit	14 cu. ft.	N/A	N/A	2	125

12/8/2015

Copyright 2015 ANOVA®

Made in U.S.A