



211 North Lindbergh Blvd.
 St. Louis, MO 63141
 888.535.5005 tel
 314.754.0835 fax
specify@anovafurnishings.com
anovafurnishings.com



Material

The bench seat and back are 72" long and made of 3/4-#9 expanded steel with a diamond shape pattern. The seat is protected by Fusion Advantage™, a plastisol coating with an average .125" thickness and a high-gloss powder coat. The bench seat will support 200 lbs per linear foot.

The bench supports are cast aggregate and will not corrode, crack, splinter, rot or rust.

This bench is designed to be portable, allowing for flexibility in placement.

Finish

Fusion Advantage is a heat fused plastisol coating that creates an impervious rustproof barrier and resists UV deterioration, mildew, staining and fading.

The finish has been tested to the requirements of ASTM E1354 and is determined to be in compliance with California Uniform Fire Code 1103.2.1.4.2.

The aggregate is cast in a durable epoxy resin that remains clear and bright throughout its life.

Color

See website or sales representative for color choices.

Assembly

The benches require some assembly.

Maintenance

Maintenance-free. To clean, spray with a power washer.

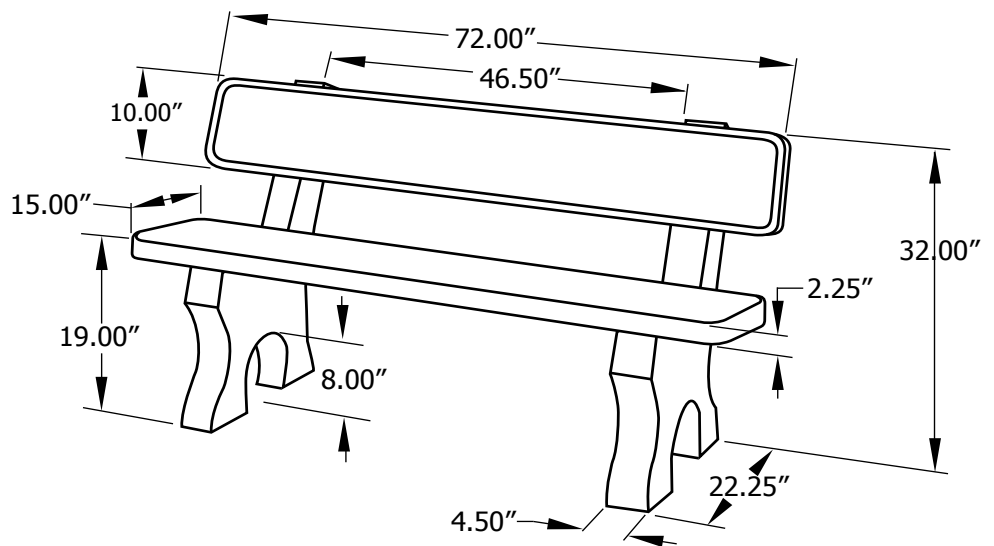
Warranty

5-year limited structural warranty from the date of purchase. See full details on multi-year warranties for components at www.anovafurnishings.com/warranty.aspx.

**PCSXMBEN6
 STRUCTURE FLAT BENCH
 flat expanded steel bench with
 back and cast aggregate supports**

Accessories

Hold Down Kit PCSHLD



Shipping Information

Unit Wt.	Unit Shipping Wt. UPS	Unit Shipping Wt. Truck (1+ Units)	Unit Ship Size w/Pallet	Max Units per Pallet	Pallet Wt. (36" x 36")	Total No. Pkgs	Shipping Class
276 lbs	N/A	317 lbs/unit	18 cu. ft.	4	29 lbs	2	70