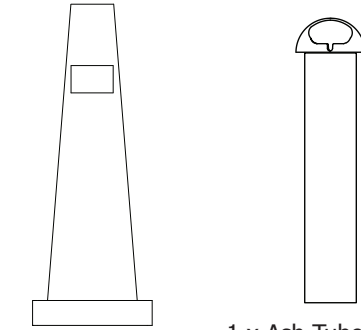


ASSEMBLY INSTRUCTIONS

PCSPYA Pyramid Ash Urn

PYRAMID ASH URN COMPONENTS



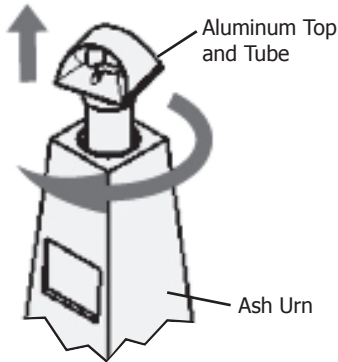
1 x Cast Stone Urn 1 x Ash Tube with Aluminum Top

TOOLS NEEDED:

- None

The Pyramid Ash Urn arrives fully assembled and ready to use. This instruction describes how to open and empty the Ash Tube.

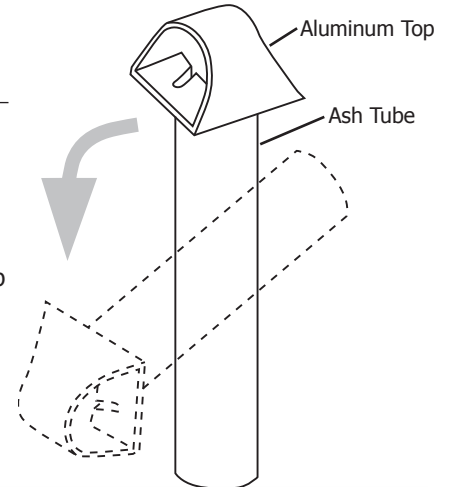
1. Remove the Aluminum Top and Ash Tube by rotating approximately 15 degrees clockwise and pulling upward.



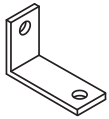
2. To empty the Ash Tube, invert the Tube and allow the waste materials to exit through the Aluminum Top.

If the waste materials have become packed, shake or tap on the bottom of the Tube.

Caution: Tapping the side of the Tube or Aluminum Top could cause them to distort or break and void the warranty.



**OPTIONAL COMPONENTS
ASSEMBLY HARDWARE:**



2x
Hold Down Bracket



4 x
Nail Anchor



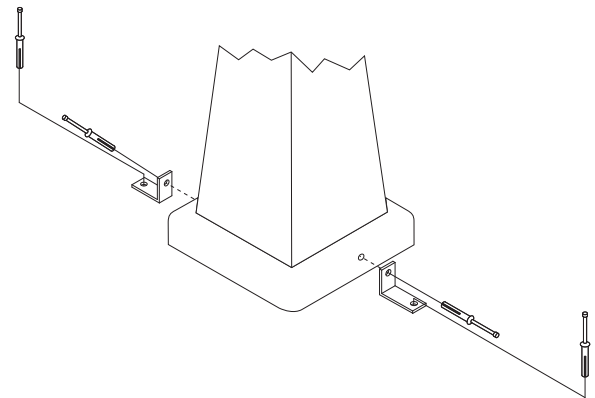
1 x
1/4" Masonry Bit

**TOOLS NEEDED FOR OPTIONAL
HOLD DOWN KIT:**

- Hammer
- Drill

If purchased, install the optional Hold Down Kit:

1. Align the hole in the shortest side of Hold Down Bracket with the hole in the base of the unit.
2. Insert the Nail Anchor through the Bracket into the hole in the base of the unit and set it with a Hammer. (Both Sides)
3. Set the unit in place and use the included Masonry Bit to drill through the bracket holes into the concrete approximately 1 1/2" deep. Insert the Nail Anchors through the bracket and into the hole in the concrete. Set each Anchor with a Hammer.



CARE AND MAINTENANCE

- Do not drag the assembled unit across any surface.
- This product requires only periodic cleaning with a sponge and a solution of mild detergent and water to remove surface dirt. Do not clean with a solvent or petroleum based products.



WARNING

- Furniture must not be used other than for its intended purpose and should be inspected regularly for loose, missing, or broken hardware, and general instability.
- Furniture that is damaged or appears to be unstable must be removed from service and be repaired or replaced.
- Repairs must be made using only factory authorized parts and methods.