



211 North Lindbergh Blvd.
 St. Louis, MO 63141
 888.535.5005 tel
 314.754.0835 fax
specify@anovafurnishings.com
anovafurnishings.com



PCSCU17RB
STRUCTURE ASH URN
 bonded aggregate ash urn with
 rain bonnet

Accessories

Black Beauty Sand Replacement:

- 5 lb bag **SAND5**
- 10 lb bag **SAND10**
- 25 lb bag **SAND25**
- 50 lb bag **SAND50**

Ash Sifter 5" diameter **SIFTER**

Material

The ash urn is composed of natural stone and epoxy bonded together to create components that are attractive in appearance while maintaining the strength of concrete with less weight. The ash urn features a rain bonnet to keep the elements out of the ashtray and includes a supply of black beauty sand substitute.

The urn is designed to be portable, allowing for flexibility in placement and includes rubber feet to protect flooring materials.

Finish

The aggregate is cast in a durable epoxy resin that remains clear and bright throughout its life.

Color

See website or sales representative for color choices.

The rain bonnet and ashtray are available in bronze colored powdercoat.

Assembly

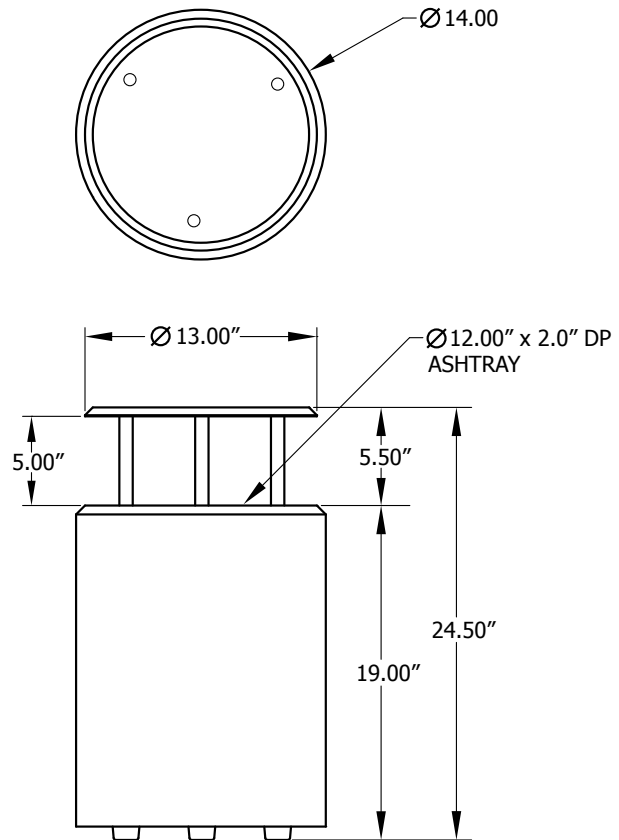
The receptacle arrives fully assembled for immediate use on site.

Maintenance

Maintenance-free. To clean, spray with a power washer.

Warranty

5-year limited structural warranty from the date of purchase. See full details on multi-year warranties for components at www.anovafurnishings.com/warranty.aspx.



Shipping Information

Unit Wt.	Unit Shipping Wt. UPS	Unit Shipping Wt. Truck (1+ Units)	Unit Ship Size w/Pallet	Max Units per Pallet	Pallet Wt. (30" x 30")	Total No. Pkgs	Shipping Class
89 lbs	N/A	94 lbs/unit	4 cu. ft.	2	25 lbs	1	70