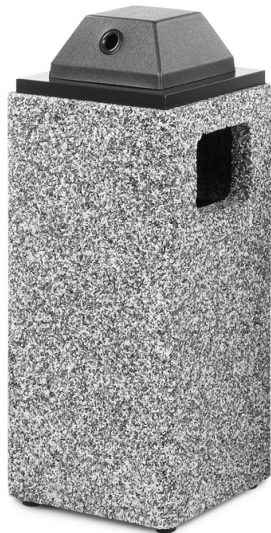




211 North Lindbergh Blvd.
 St. Louis, MO 63141
 888.535.5005 tel
 314.754.0835 fax
specify@anovafurnishings.com
anovafurnishings.com



PCS8AC STRUCTURE RECEPTACLE 8-gallon cast aggregate receptacle with covered ashtray top and plastic liner

Replacement Parts

Black Plastic Liner **R-PCS8PLR**

Accessories

Hold Down Kit **PCSHLD**

Black Beauty Sand Replacement:

5 lb bag **SAND5**
 10 lb bag **SAND10**
 25 lb bag **SAND25**
 50 lb bag **SAND50**

Ash Sifter 5" diameter **SIFTER**

Material

The 8-gallon receptacle is comprised 2" thick cast aggregate. The receptacle includes rubber feet and a high density polyethylene covered ashtray top.

The top is made of high-density polyethylene that will not chip, crack or dent. The top features a 1.5" deep by 8" square ash tray, comes with a supply of black beauty sand substitute, and includes a 14" web security strap.

The reusable plastic liner is made of black high-density polyethylene.

The receptacle is designed to be portable, allowing for flexibility in placement.

Finish

The aggregate is cast in a durable epoxy resin that remains clear and bright throughout its life.

Color

See website or sales representative for color choices.

Assembly

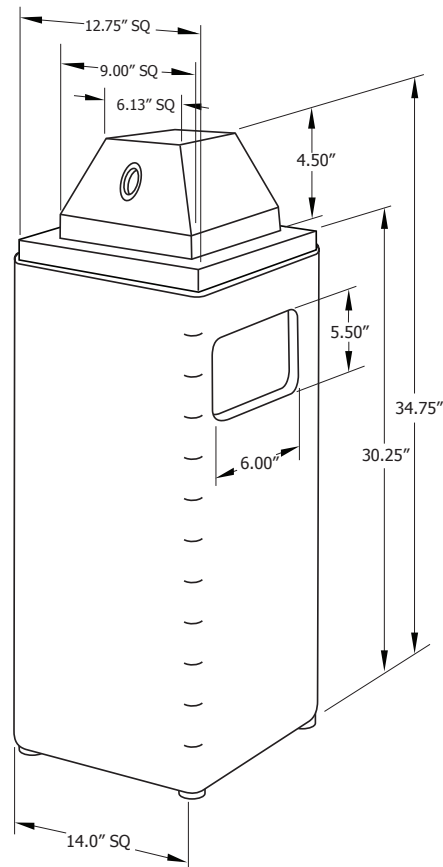
The receptacle arrives fully assembled for immediate use on site.

Maintenance

Maintenance-free. To clean, spray with a power washer.

Warranty

5-year limited structural warranty from the date of purchase. See full details on multi-year warranties for components at www.anovafurnishings.com/warranty.aspx.



Shipping Information

Unit Wt.	Unit Shipping Wt. UPS	Unit Shipping Wt. Truck (1+ Units)	Unit Ship Size w/Pallet	Max Units per Pallet	Pallet Wt. (30" x 30")	Total No. Pkgs	Shipping Class
153 lbs	N/A	166 lbs/unit	23 cu. ft.	4	25 lbs	1	70