



211 North Lindbergh Blvd.  
 St. Louis, MO 63141  
 800.231.1327 tel. | 314.754.0835 fax  
[specify@anovafurnishings.com](mailto:specify@anovafurnishings.com)  
 anovafurnishings.com

## L1378C — Rendezvous 32 Gallon Custom Band Receptacle

32-gallon steel slat custom band receptacle with custom message decal, plastic liner and rubber feet



Top sold separately.

### Material

The 32-gallon receptacle is 31.39" tall and is composed of 12-gauge slotted steel with a .75" gap vertical slotted pattern. Optional top is available in several styles; sold separately.

A message, up to 2.75" tall and 32" long, is factory-applied as a decal around the body of the receptacle. The customer may choose a standard message or submit a custom logo, mascot or message. Standard messages available with recycling logo are "Plastic Only", "Glass Only", "Cans Only", "Paper Only" or "Trash Only". Specify black or white lettering. The receptacle is also available without any decals; or with recycle symbols only.

The receptacle is designed to be portable for flexibility in placement or surface mounted using predrilled .38" diameter holes inside the base to prevent movement; optional corkscrew anchor also available. The rubber feet are adjustable to assist in leveling the receptacle. The reusable plastic liner is made of high-density polyethylene.

### Finish

Steel slats are protected by the patented Fusion Advantage™ finish. The plastisol coating has an average thickness of .125" and is encapsulated with a richly tinted, high performance powder coating that won't rust, fade, peel, chip, crack, mold or mildew. The finish has been tested to the requirements of ASTM E1354 and determined to be in compliance with California Uniform Fire Code 1103.2.1.4.2.

Fade-resistant, powder coated steel top features a state-of-the-art primer proven to prevent rusting. Treated components exceed the industry standard by 34% in testing by independent sources.

### Color

See website or sales representative for color choices.

### Assembly

The receptacle ships fully assembled and ready for use. Using an optional corkscrew anchor may require some assembly.

### Maintenance

The product is virtually maintenance-free and requires only periodic cleaning with a sponge and a solution of mild detergent and water to remove surface dirt. Do not clean with solvent or petroleum base products.

### Warranty

20-year limited structural warranty with 7-year finish warranty from the date of purchase. See full details on multi-year warranties for components at [www.anovafurnishings.com/warranty.aspx](http://www.anovafurnishings.com/warranty.aspx).

### Replacement Parts

Black Plastic Liner F1017

### Accessories

Contour Top F3005

Bold Recycler Top F3014

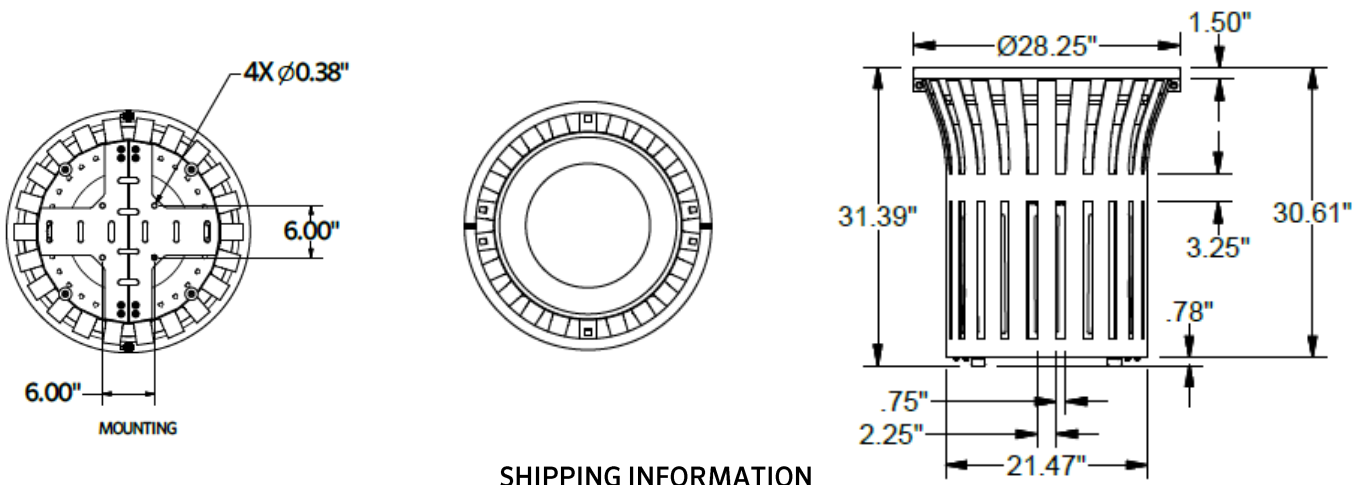
Recycler Top F3019

Bonnet Top F3202

Bonnet Top with Ashtray F3203

Open Hood Top F3207

Corkscrew Anchor A1020



### SHIPPING INFORMATION

Unit Weight	Unit Shipping Wt. UPS	Unit Shipping Wt. Truck (1+ Units)	Unit Ship Size w/Pallet	Max Units Per Pallet	Pallet Size/Wt. 48" x 32"	Total No. Pkgs.	Shipping Class
83 lbs.	N/A	93 lbs./unit	33 cu. ft.	3	50 lbs.	1	100