



L1377 — Rendezvous 16 Gallon Half-Round Wall Mount Receptacle

16-gallon steel slat wall mount receptacle with flat top, plastic liner and rubber feet



Material

The 16-gallon receptacle is 31.50" tall and is composed of 12-gauge slotted steel with a .75" gap vertical slotted pattern. The flat top is made of 16-gauge steel and features a 5" diameter center top opening.

The receptacle is designed to be mounted to a wall or structure to prevent tipping or movement; mounting hardware is not included. The rubber feet are adjustable to assist in leveling the receptacle. The reusable plastic liner is made of black linear low-density polyethylene.

Finish

Steel slats are protected by the patented Fusion Advantage™ finish. The plastisol coating has an average thickness of .125" and is encapsulated with a richly tinted, high performance powder coating that won't rust, fade, peel, chip, crack, mold or mildew. The finish has been tested to the requirements of ASTM E1354 and determined to be in compliance with California Uniform Fire Code 1103.2.1.4.2.

Fade-resistant, powder coated steel top features a state-of-the-art primer proven to prevent rusting. Treated components exceed the industry standard by 34% in testing by independent sources.

Color

See website or sales representative for color choices.

Assembly

The receptacle ships fully assembled and ready for use. Wall mounting requires some assembly.

Maintenance

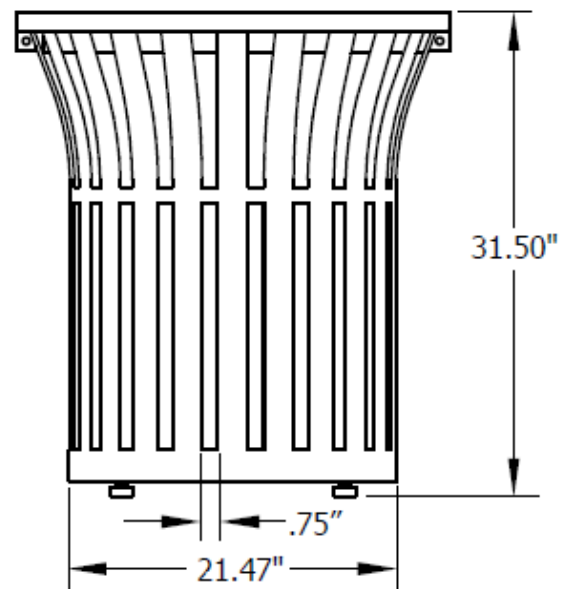
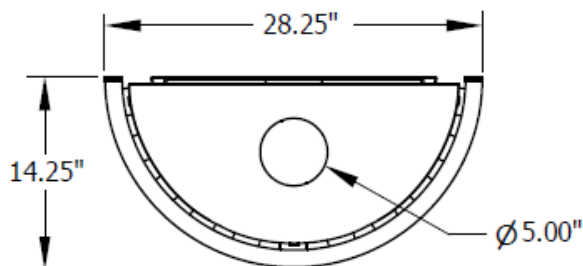
The product is virtually maintenance-free and requires only periodic cleaning with a sponge and a solution of mild detergent and water to remove surface dirt. Do not clean with solvent or petroleum base products.

Warranty

20-year limited structural warranty with 7-year finish warranty from the date of purchase. See full details on multi-year warranties for components at www.anovafurnishings.com/warranty.aspx.

Replacement Parts
 Black Plastic Liner

R-DOM1029



SHIPPING INFORMATION

Unit Weight	Unit Shipping Wt. UPS (1-2 Units)	Unit Shipping Wt. Truck (3+ Units)	Unit Ship Size w/Pallet	Max Units Per Pallet	Pallet Size/Wt. 48" x 32"	Total No. Pkgs.	Shipping Class
52 lbs.	100 lbs./unit	60 lbs./unit	32 cu. ft.	8	50 lbs.	1	100