



anovafurnishings.com
888.535.5005 tel

ASSEMBLY INSTRUCTIONS

L1300 Rendezvous Bistro Table w/ Flat Seats

L1301 Rendezvous Bistro Table w/ Contour Seats

L1400 Latitude Bistro Table w/ Flat Seats

L1401 Latitude Bistro Table w/ Contour Seats

L1700 Cosmopolitan Bistro Table w/ Flat Seats

L1701 Cosmopolitan Bistro Table w/ Contour Seats

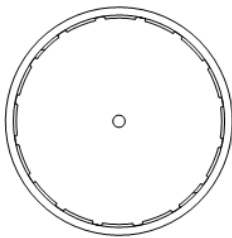


Model L1301 shown.
Seat style may vary.

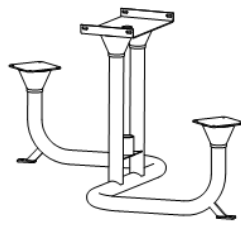
TOOLS NEEDED:

- Ratchet with 1/2" socket
- 1/2" Open end or box end wrench
- #4 Phillips screwdriver

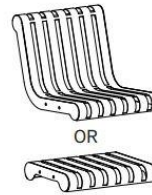
TABLE COMPONENTS:



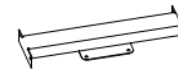
(1) Table Top



(1) Seat Support



(2) Contour Seats
(Pattern may vary)

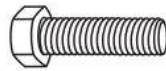


(2) Seat Mounts

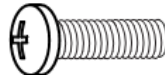
ASSEMBLY HARDWARE: All hardware is stainless steel.



(4) 5/16" x 1 1/4"
Hex Head Bolts



(8) 5/16" x 1"
Hex Head Bolts



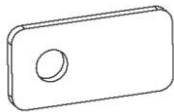
(8) 5/16" x 1 1/4"
Phillips Head Screws



(20) 5/16"
Nylock Nuts



(32) 5/16"
Flat Washers



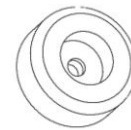
(2) Plastic Rectangular Feet



(4) Adhesive Strips



(5) 1/4" -20 x 1"
Phillips Head Screws



(5) Rubber Feet

ASSEMBLY:

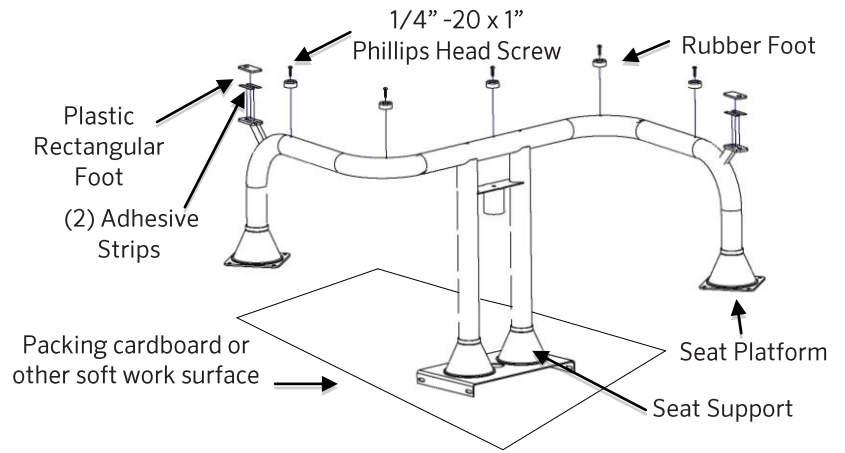
The assembly is a two-person operation.

1. Inspect the shipping container contents for damage and to determine that all components and hardware are present.
2. Assemble the table over the shipping packaging or padded work area to avoid scratching the product.

NOTE: Before assembling the nuts to the bolts, it is recommended that a light oil or petroleum jelly be applied to the screw threads.

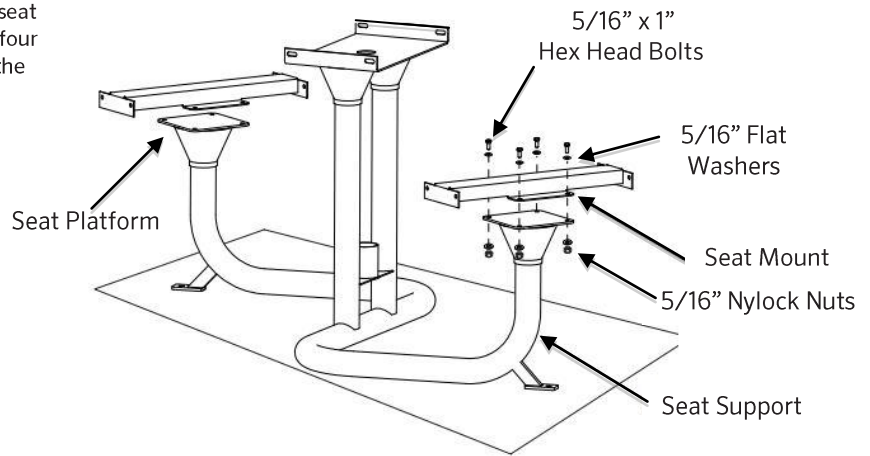
3. Locate the seat support and place the support on the work surface upside down with the seat platforms oriented downward.

- Apply two adhesive strips to one of the plastic rectangular feet. Then firmly apply the plastic rectangular foot to the metal foot of the seat support aligning the holes in each. Repeat for the remaining foot.
- Locate the rubber feet and 1/4" -20 x 1" Phillips head screws. Insert a screw through the rubber foot into the predrilled hole in the seat support and tighten screw with the #4 Phillips head screwdriver. Once all five rubber feet are installed turn the unit over so that the feet are contacting the work surface.



- Locate one of the seat mounts. Position a seat mount on one of the seat platforms so that the mounting holes in the seat mount align with the mounting holes in the seat platform. Install four 5/16" x 1" hex head bolts and four 5/16" flat washers down through the seat mount and the seat platform, add four 5/16" Nylock nuts and four 5/16" flat washers underneath the seat platform and tighten the hardware after all four bolts are installed.

Install the remaining seat mount in the same manner.

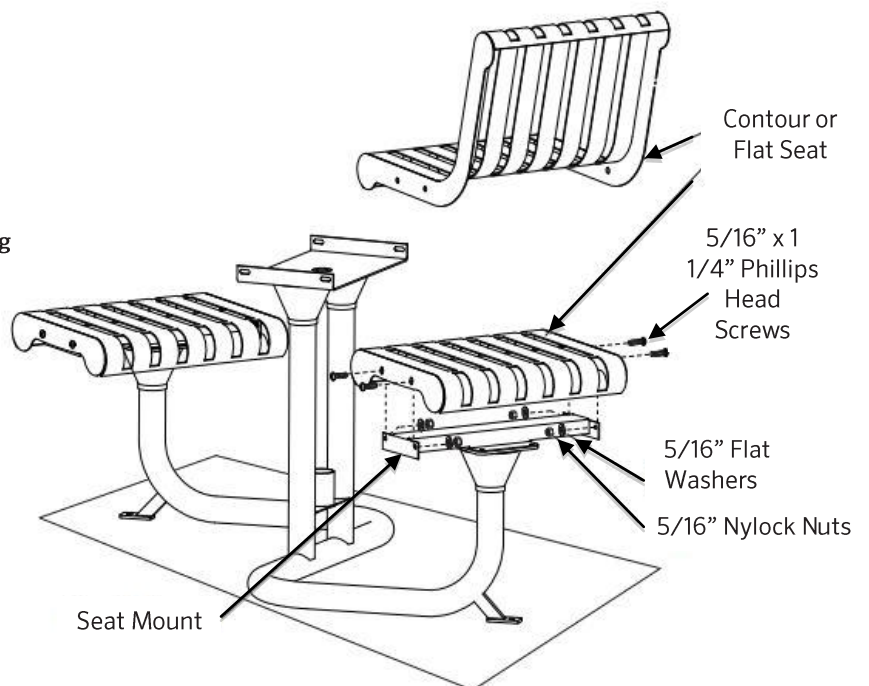


- Place one of the seats over one of the seat mounts so that all the mounting holes line up. Insert four 5/16" Phillips head screws through the seat mounting holes, into corresponding holes in the seat mount.

- Place 5/16" flat washers and 5/16" Nylock nuts on the end of each screw and tighten finger tight. After all four screws are installed, use the #4 Phillips screwdriver to hold the screw head and use the ratchet with 1/2" socket to tighten the Nylock nuts.

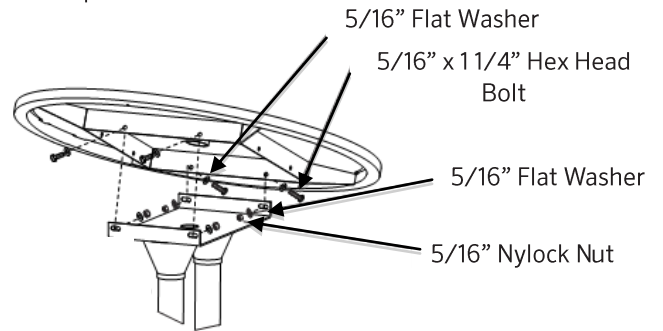
NOTE: Holding the screw still and turning the Nylock nut protects the finish on the screw and seat from scratching and chipping during installation.

Install the remaining seat in the same manner.



- Lift the table top and position it over the table top bracket. Rotate the table top until the frame on the bottom of the table top matches the orientation of the table top bracket. Carefully lower the table top down onto the table top bracket.

Secure the table top to the table top bracket from the outside using four 5/16" x 1 1/4" hex head bolts, two on each side with a 5/16" flat washer on each of the bolts. You may have to lift the table top slightly to get the holes to align. Place a 5/16" flat washer and 5/16" Nylock nut on the bolt inside of the support bracket.

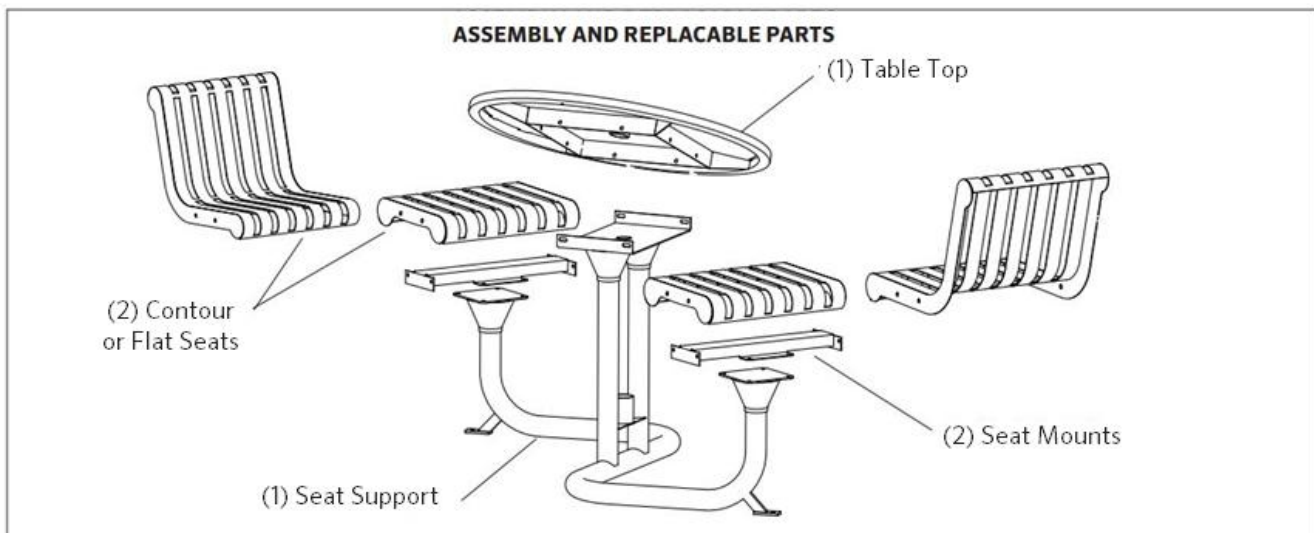


Leave the bolts finger tight until all the Nylock nuts are started. Then use the 1/2" open end or box end wrench and ratchet with the 1/2" socket to tighten the hardware.

- Move the table to the location where it will be used.

NOTE: This table is required to be surface mounted prior to use. Follow surface mount instructions provided with the surface mount hardware that you purchase locally.

- After two weeks, retighten all of the hardware.



NOTE: Please contact Customer Care at 1-866-797-1761 to receive assistance in placing a replacement part order.



WARNING

- Furniture must not be used other than for its intended purpose and should be inspected regularly for loose, missing, or broken hardware, and general instability.
- Furniture that is damaged or appears to be unstable must be removed from service and be repaired or replaced.
- Repairs must be made using only factory authorized parts and methods.

CARE AND MAINTENANCE

- Do not drag the assembled unit across any surface.
- This product requires only periodic cleaning with a sponge and a solution of mild detergent and water to remove surface dirt. Do not clean with a solvent or petroleum based products.