



211 North Lindbergh Blvd.
 St. Louis, MO 63141
 888.535.5005 tel
 314.754.0835 fax
 specify@anovafurnishings.com
anovafurnishings.com



Material

The 5-gallon receptacle is 23.89" tall and is composed of 3/4 #9 expanded steel with a diamond pattern. The receptacle is protected by Fusion Advantage™, a plastisol coating with an average .125" thickness and a high-gloss powder coat.

The black plastic top features an 11" diameter ashtray. A generous supply of Black Beauty sand substitute is included.

The receptacle features an 9.22" x 5.51" side opening for easy trash disposal. The receptacle is designed to be portable for flexibility in placement. A reusable plastic liner is included.

Finish

Fusion Advantage is a heat fused plastisol coating that creates an impervious rustproof barrier and resists UV deterioration, mildew, staining and fading.

The finish has been tested to the requirements of ASTM E1354 and is determined to be in compliance with California Uniform Fire Code 1103.2.1.4.2.

Color

See website or sales representative for color choices.

Assembly

The receptacle arrives assembled and ready for use.

Maintenance

The product is virtually maintenance-free and requires only periodic cleaning with a sponge and a solution of mild detergent and water to remove surface dirt. Do not clean with solvent or petroleum based products.

Warranty

20-year limited structural warranty with 7-year finish warranty from the date of purchase. See full details on multi-year warranties for components at www.anovafurnishings.com/warranty.aspx.

**F1381
 COURTYARD RECEPTACLE
 5-gallon expanded steel receptacle
 with plastic liner, and ashtray top**

Replacement Parts

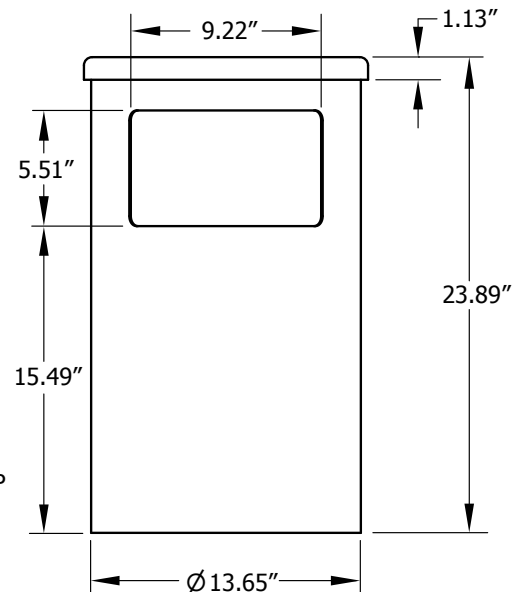
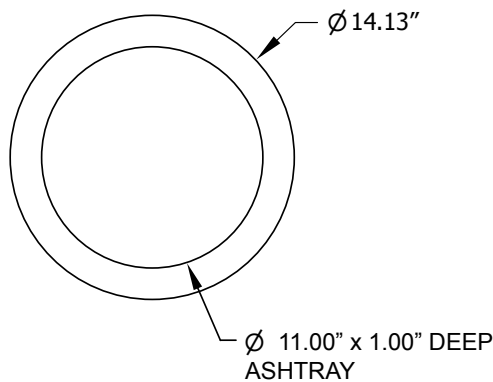
Black Plastic Liner **R-ASH1005**
 Black Plastic Ashtray **R-ASH1006**

Black Beauty Sand Replacement:

5 lb bag **SAND5**
 10 lb bag **SAND10**
 25 lb bag **SAND25**
 50 lb bag **SAND50**

Accessories

Ash Sifter 5" diameter **SIFTER**



Shipping Information

Unit Wt.	Unit Shipping Wt. UPS (1-9 Units)	Unit Shipping Wt. Truck (10+ Units)	Unit Ship Size w/Pallet	Max Units per Pallet	Pallet Wt. (48" x 32")	Total No. Pkgs	Shipping Class
28 lbs	32 lbs/unit	32 lbs/unit	27 cu. ft.	18	50 lbs	1	100