



211 North Lindbergh Blvd.  
 St. Louis, MO 63141  
 888.535.5005 tel  
 314.754.0835 fax  
[specify@anovafurnishings.com](mailto:specify@anovafurnishings.com)  
[anovafurnishings.com](http://anovafurnishings.com)



**D1029**  
**ULTRA CONTOUR BENCH**  
 6' perforated steel contour bench,  
 in ground mount

**Material**

The bench is 72.25" long. The contour seat is made of 12-gauge perforated steel with a .56" diameter uniform hole pattern. The bench is protected by Fusion Advantage™, a plastisol coating with an average .125" thickness and a high-gloss powder coat. The bench seat will support 200 lbs per linear foot.

The legs are made of 2.38" O.D. steel tubing, protected by a fade resistant powder coat finish featuring a state of the art primer proven to prevent rusting. They are designed to be mounted 12.12" deep for a sturdy support.

**Finish**

Fusion Advantage is a heat fused plastisol coating that creates an impervious rustproof barrier and resists UV deterioration, mildew, staining and fading.

The finish has been tested to the requirements of ASTM E1354 and is determined to be in compliance with California Uniform Fire Code 1103.2.1.4.2.

A state of the art primer is applied to all of the under supports, providing extreme rust fighting protection and durability. Treated components exceed the industry standard by 34% in testing by independent sources.

**Color**

See website or sales representative for color choices.

**Assembly**

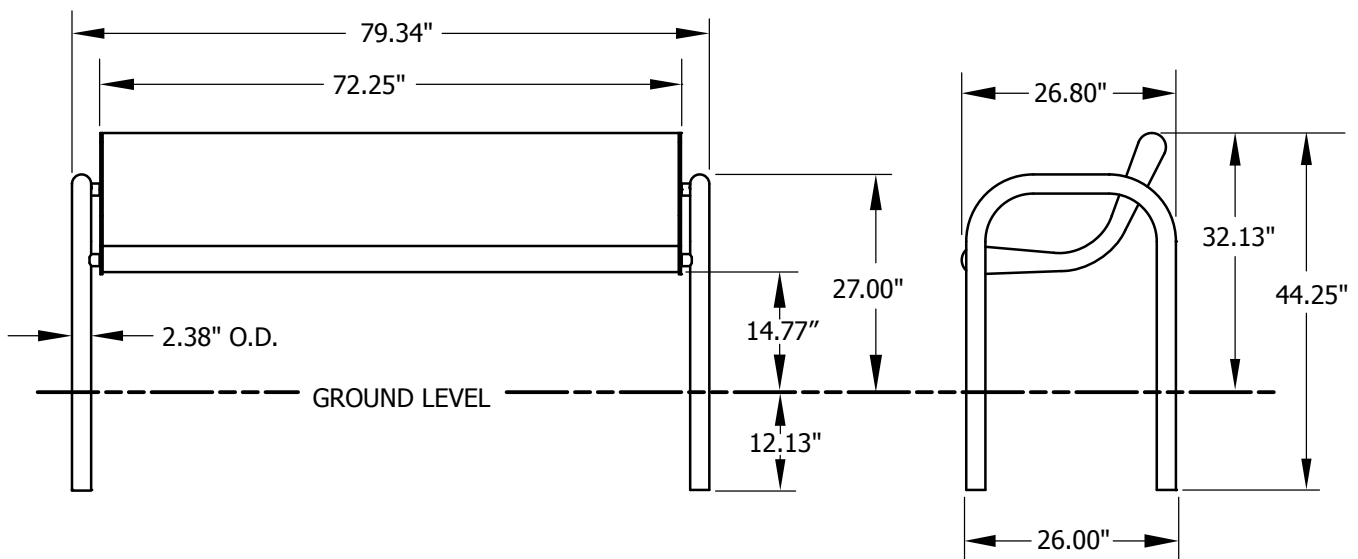
The bench requires some assembly. The in ground mounting requires site preparation and construction of a temporary support.

**Maintenance**

The product is virtually maintenance-free and requires only periodic cleaning with a sponge and a solution of mild detergent and water to remove surface dirt. Do not clean with solvent or petroleum based products.

**Warranty**

20-year limited structural warranty with 7-year finish warranty from the date of purchase. See full details on multi-year warranties for components at [www.anovafurnishings.com/warranty.aspx](http://www.anovafurnishings.com/warranty.aspx).



**Shipping Information**

Unit Wt.	Unit Shipping Wt. UPS	Unit Shipping Wt. Truck (1+ Units)	Unit Ship Size w/Pallet	Max Units per Pallet	Pallet Wt. (84" x 36")	Total No. Pkgs	Shipping Class
159 lbs	N/A	178 lbs lbs/unit	39 cu. ft.	5	100 lbs	2	70