



211 North Lindbergh Blvd.
 St. Louis, MO 63141
 888.535.5005 tel
 314.754.0835 fax
 specify@anovafurnishings.com
anovafurnishings.com



dome top not included

D1021L ULTRA RECEPTACLE 32-gallon perforated steel receptacle with liner

Material

The 32-gallon receptacle body is made of 12-gauge perforated steel with a .56" diameter uniform hole pattern. The receptacle is protected by Fusion Advantage™, a plastisol coating with an average .125" thickness and a high-gloss powder coat. The receptacle includes a reusable plastic liner made of high-density polyethylene.

Options and Accessories

Optional tops and mounting kits for various applications are available.

Finish

Fusion Advantage is a heat fused plastisol coating that creates an impervious rustproof barrier and resists UV deterioration, mildew, staining and fading.

The finish has been tested to the requirements of ASTM E1354 and is determined to be in compliance with California Uniform Fire Code 1103.2.1.4.2.

Color

See website or sales representative for color choices.

Assembly

Mounting options require some assembly, if purchased.

Maintenance

The product is virtually maintenance-free and requires only periodic cleaning with a sponge and a solution of mild detergent and water to remove surface dirt. Do not clean with solvent or petroleum based products.

Warranty

20-year limited structural warranty with 7-year finish warranty from the date of purchase. See full details on multi-year warranties for components at www.anovafurnishings.com/warranty.aspx.

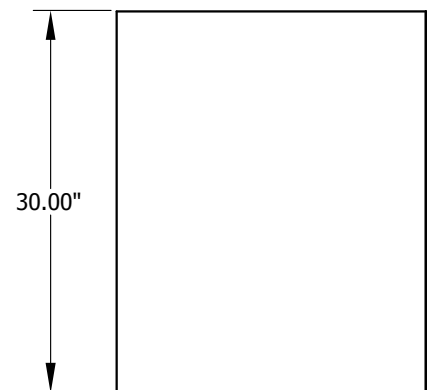
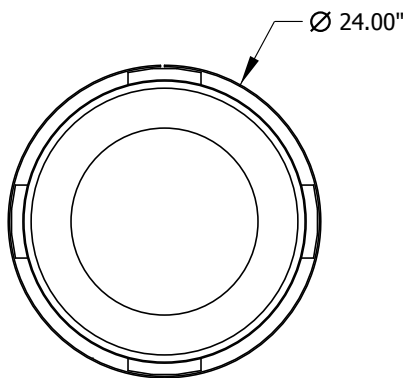
Replacement Parts

Black Plastic Liner **F1017**

Accessories

Expanded Steel Flat Top **F1023**
 Flat Top with Ashtray **F1177**
 Universal Contour Top **F3005**
 Recycling Top **F3014**
 Plastic Dome Top **F3015**
 Recycling Top **F3019**
 Dome Recycler Top **F3205**
 Visor Recycler Top **F3206**
 Open Hood Top **F3207**
 Visor Hood Top **F3209**
 Slotted Steel Flat Top **L1405**

Traditional In ground Mount **F1094**
 Traditional Surface Mount **F1098**
 45° Roadside Surface Mount **F1406**
 45° Roadside In ground Mount **F1407**
 Corkscrew Anchor **A1020**



Shipping Information

Unit Wt.	Unit Shipping Wt. UPS (1 Unit)	Unit Shipping Wt. Truck (2+ Units)	Unit Ship Size w/Pallet	Max Units per Pallet	Pallet Wt. (48" x 32")	Total No. Pkgs	Shipping Class
70 lbs	100 lbs/unit	80 lbs/unit	32 cu. ft.	8	50 lbs	1	100