

211 North Lindbergh Blvd.
 St. Louis, MO 63141
 800.231.1327 tel. | 314.754.0835 fax
specify@anovafurnishings.com
 anovafurnishings.com

C1337—Ultra 6' Slotted Steel Custom Bench, Portable/Surface Mount

6' bench with slotted steel contour seat and custom laser-cut message, portable/surface mount legs



Material

The 6' contour bench seat is composed of 12-gauge slotted steel with a .44" wide gap. Comfortable rolled seat edge deters skateboarders. Custom message is laser cut into the metal with choice of Helvetica font in 3" or 5" height or Palatino font in 5" height. The bench seat is 72.25" long and will support 200 lbs. per linear foot.

The bench legs are made of 2.38" O.D. steel tubing designed to be portable, allowing for flexibility in placement. Legs also feature a tab with .50" pre-drilled holes for surface mounting to prevent movement. Mounting hardware not included.

Finish

Steel contour seat is protected by the patented Fusion Advantage™ finish. The plastisol coating has an average thickness of .125" and is encapsulated with a richly tinted, high performance powder coating that won't rust, fade, peel, chip, crack, mold or mildew. The finish has been tested to the requirements of ASTM E1354 and determined to be compliant with California Uniform Fire Code 1103.2.1.4.2.

Fade-resistant, powder coated legs and under supports feature a state-of-the-art primer proven to prevent rusting. Treated components exceed the industry standard by 34% in testing by independent sources.

Color

See website or sales representative for color choices.

Assembly

Some assembly is required. Stainless steel assembly hardware is included. Mounting hardware must be purchased locally.

Maintenance

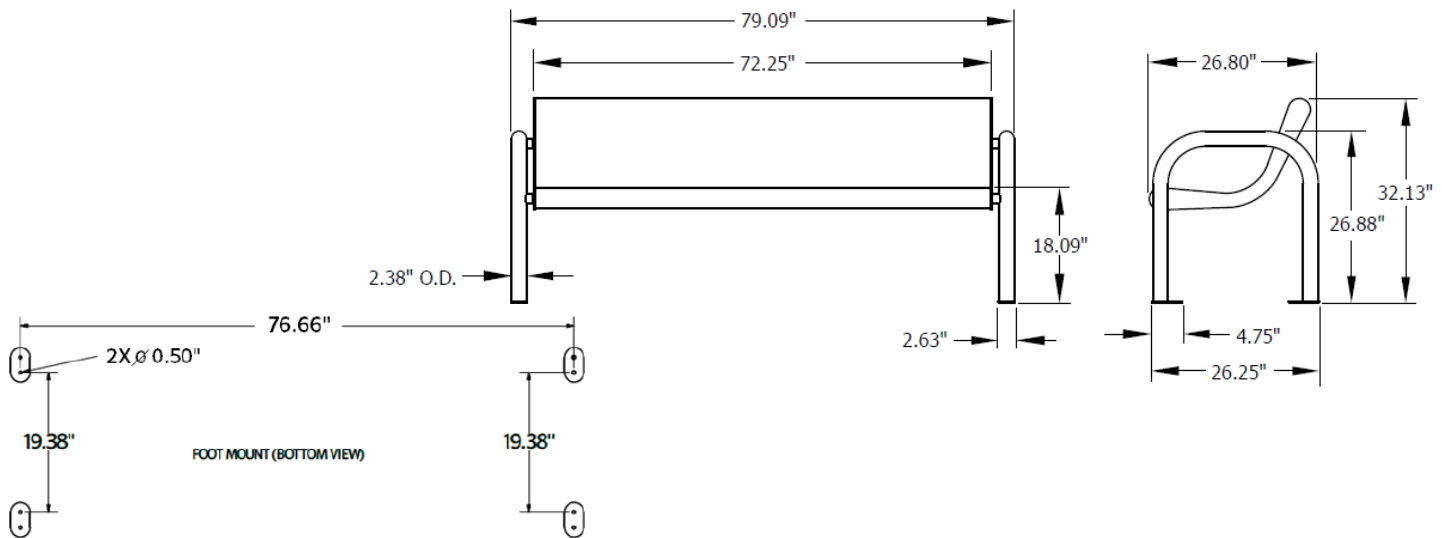
The product is virtually maintenance-free and requires only periodic cleaning with a sponge and a solution of mild detergent and water to remove surface dirt. Do not clean with solvent or petroleum base products.

Warranty

20-year limited structural warranty with 7-year finish warranty from the date of purchase. See full details on multi-year warranties for components at www.anovafurnishings.com/warranty.aspx.



Helvetica font: 3" or 5" height
 Palatino font: 5" height



SHIPPING INFORMATION

Unit Weight	Unit Shipping Wt. UPS	Unit Shipping Wt. Truck (1+ Unit)	Unit Ship Size w/Pallet	Max Units Per Pallet	Pallet Size/Wt. (74" x 32")	Total No. Pkgs.	Shipping Class
138 lbs.	N/A	158 lbs./unit	31 cu. ft.	3	100 lbs.	2	150