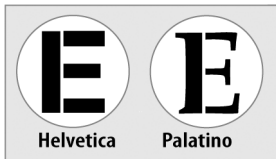




211 North Lindbergh Blvd.
 St. Louis, MO 63141
 888.535.5005 tel
 314.754.0835 fax
 specify@anovafurnishings.com
anovafurnishings.com



C1336
ULTRA RECEPTACLE
32-gallon slotted steel receptacle
with spun steel top and plastic liner



Helvetica font: 3" or 5" height
 Palatino font: 5" height

- Replacement Parts**
- Universal Contour Top **F3005**
 - Black Plastic Liner **F1017**
- Accessories**
- Slotted Steel Flat Top **L1405**
 - Plastic Dome Top **F3015**
 - Traditional In ground Mount **F1094**
 - Traditional Surface Mount **F1098**
 - 45° Roadside In ground Mount **F1407**
 - 45° Roadside Surface Mount **F1406**
 - Corkscrew Anchor **A1020**

Material

The 32-gallon receptacle body is made of 12-gauge slotted steel with a .44" gap slotted pattern. Choice of identity lettering consists of Helvetica font in 3" or 5" height or Palatino font in 5" height. The top is made of 18-gauge galvanized spun steel and is protected with a high-gloss powder coat. The top features a 10" diameter opening for easy trash disposal and includes a 14" security strap. The receptacle is protected by Fusion Advantage™, a plastisol coating with an average .125" thickness and a high-gloss powder coat.

Finish

Fusion Advantage™ is a heat fused plastisol coating that creates an impervious rustproof barrier and resists UV deterioration, mildew, staining and fading.

The finish has been tested to the requirements of ASTM E1354 and is determined to be in compliance with California Uniform Fire Code 1103.2.1.4.2.

Color

See website or sales representative for color choices.

Assembly

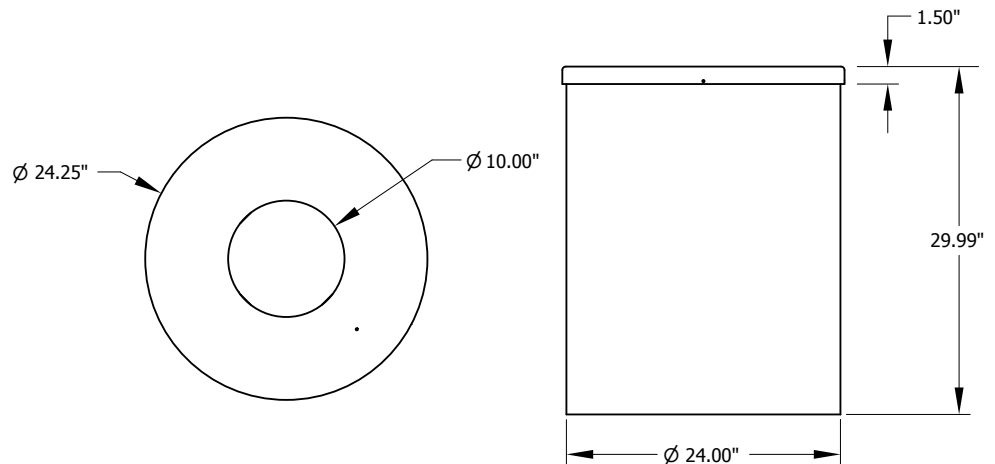
Attachment of the top to the receptacle body requires some assembly. Mounting options require some assembly also, if purchased.

Maintenance

The product is virtually maintenance-free and requires only periodic cleaning with a sponge and a solution of mild detergent and water to remove surface dirt. Do not clean with solvent or petroleum based products.

Warranty

20-year limited structural warranty with 7-year finish warranty from the date of purchase. See full details on multi-year warranties for components at www.anovafurnishings.com/warranty.aspx.



Shipping Information

Unit Wt.	Unit Shipping Wt. UPS (1 unit)	Unit Shipping Wt. Truck (2+ units)	Unit Ship Size w/Pallet	Max Units per Pallet	Pallet Wt. (48" x 48")	Total No. Pkgs	Shipping Class
79 lbs	116 lbs/unit	85 lbs/unit	32 cu. ft.	8	50 lbs	1	100