



211 North Lindbergh Blvd.  
 St. Louis, MO 63141  
 888.535.5005 tel  
 314.754.0835 fax  
 specify@anovafurnishings.com  
 anovafurnishings.com



**C1021D**  
**VICTORY RECEPTACLE**  
 32-gallon plastisol coated,  
 perforated steel receptacle with  
 liner and plastic dome top

**Material**

The 32-gallon receptacle body is made of 12-gauge perforated steel with a .56" diameter uniform hole pattern. Choice of identity lettering consists of Helvetica font in 3" or 5" height or Palatino font in 5" height. The dome top is made of Linear Low Density Polyethylene and features a 7.44" x 12.50" self-closing push door and a tether to attach the top to the receptacle. The receptacle is protected by Fusion Advantage™, a plastisol coating with an average .125" thickness and a high-gloss powder coat.

The reusable 32-gallon plastic liner is made of black high-density polyethylene.

**Finish**

Fusion Advantage™ is a heat fused plastisol coating that creates an impervious rustproof barrier and resists UV deterioration, mildew, staining and fading.

The finish has been tested to the requirements of ASTM E1354 and is determined to be in compliance with California Uniform Fire Code 1103.2.1.4.2.

**Color**

See website or sales representative for color choices.

**Assembly**

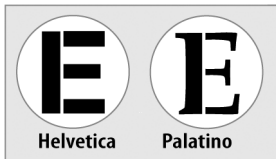
Attachment of the top to the receptacle body requires some assembly. Mounting options require some assembly also, if purchased. Stainless steel assembly hardware is included.

**Maintenance**

The product is virtually maintenance-free and requires only periodic cleaning with a sponge and a solution of mild detergent and water to remove surface dirt. Do not clean with solvent or petroleum based products.

**Warranty**

20-year limited structural warranty with 7-year finish warranty from the date of purchase. See full details on multi-year warranties for components at [www.anovafurnishings.com/warranty.aspx](http://www.anovafurnishings.com/warranty.aspx).



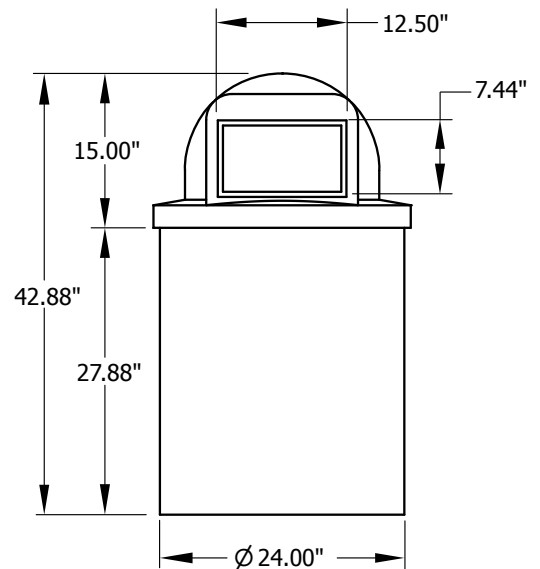
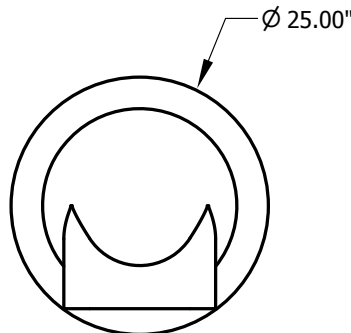
Helvetica font: 3" or 5" height  
 Palatino font: 5" height

**Replacement Parts**

- Black Plastic Liner **F1017**
- Dome Top **F3015**

**Accessories**

- Traditional Inground Mount **F1094**
- Traditional Surface Mount **F1098**
- 45° Surface Mount **F1406**
- 45° Inground Mount **F1407**
- Corkscrew Anchor **A1020**



**Shipping Information**

| Unit Wt. | Unit Shipping Wt. UPS (1 Unit) | Unit Shipping Wt. Truck (2+ Units) | Unit Ship Size w/Pallet | Max Units per Pallet | Pallet Wt. (48" x 48") | Total No. Pkgs | Shipping Class |
|----------|--------------------------------|------------------------------------|-------------------------|----------------------|------------------------|----------------|----------------|
| 79 lbs   | 145 lbs/unit                   | 94 lbs/unit                        | 32 cu. ft.              | 8                    | 50 lbs                 | 1              | 100            |