



**PCSCAT  
STRUCTURE RECEPTACLE**  
5-gallon cast aggregate receptacle  
with ashtray top and plastic liner

**Replacement Parts**

Black Plastic Liner **R-PCSCATPLR**

**Accessories**

Hold Down Kit **PCSHLD**

Black Beauty Sand Replacement:

5 lb bag **SAND5**

10 lb bag **SAND10**

25 lb bag **SAND25**

50 lb bag **SAND50**

Ash Sifter 5" diameter **SIFTER**

211 North Lindbergh Blvd.

St. Louis, MO 63141

888.535.5005 tel

314.754.0835 fax

specify@anovafurnishings.com

**anovafurnishings.com**

**Material**

The 5-gallon receptacle is composed of 1" thick cast aggregate. The receptacle includes rubber feet and an ashtray top. The ashtray top lifts off for easy trash disposal. The receptacle top also includes a 14" web security strap.

The reusable plastic liner is made of black high-density polyethylene.

The receptacle is designed to be portable, allowing for flexibility in placement.

**Finish**

The aggregate is cast in a durable epoxy resin that remains clear and bright throughout its life.

**Color**

See website or sales representative for color choices.

**Assembly**

The receptacle arrives fully assembled for immediate use on site.

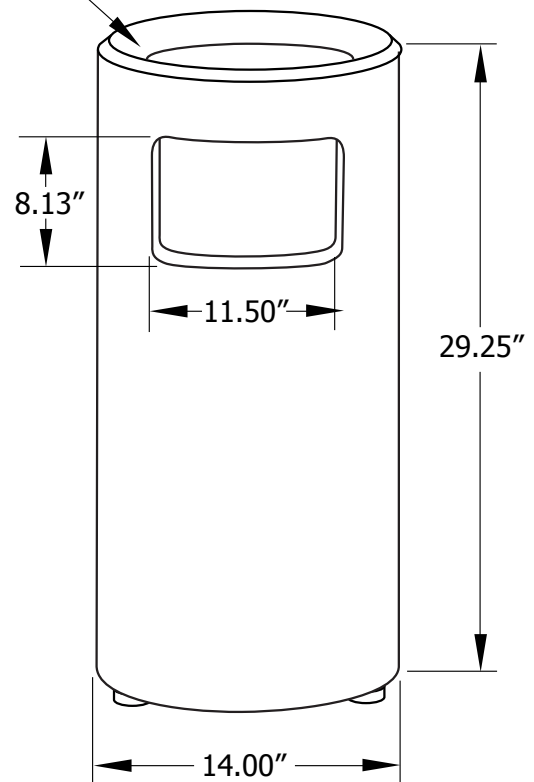
**Maintenance**

Maintenance-free. To clean, spray with a power washer.

**Warranty**

5-year limited structural warranty from the date of purchase. See full details on multi-year warranties for components at [www.anovafurnishings.com/warranty.aspx](http://www.anovafurnishings.com/warranty.aspx).

Ø 12.00" X 2.00" DP  
ASHTRAY



**Shipping Information**

Unit Wt.	Unit Shipping Wt. UPS	Unit Shipping Wt. Truck (1+ Units)	Unit Ship Size w/Pallet	Max Units per Pallet	Pallet Wt. (30" x 30")	Total No. Pkgs	Shipping Class
115 lbs	N/A	115 lbs/unit	22 cu. ft.	4	25 lbs	1	70