



ASSEMBLY INSTRUCTIONS

anovafurnishings.com
888.535.5005 tel

Assembly Instructions for L1370 & L1371 Rendezvous Flat Bench

Assembly Recommendations

To prevent scratching on any of the finished pieces, we recommend assembling the unit on packing material (paper and cardboard). Do not drag assembled unit on any surface. The assembly is a two-person operation.

Mounting Recommendations

For surface mounted products we recommend the use of stainless steel fasteners.

For inground mounted products follow the assembly instruction recommendations.

Cleaning Recommendations

For cleaning, use mild household cleansers or soap and water. Do not use vinyl cleansers or protectants.

Parts List

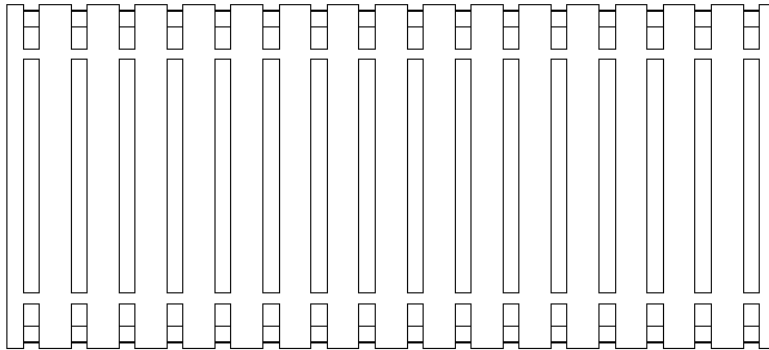
- 1 – Bench
- 2 – Support Legs

Hardware Included

- 6 – 3/8" X 1-1/2" Screws
- 6 – 3/8" Washers
- 6 – 3/8" Flange Nuts

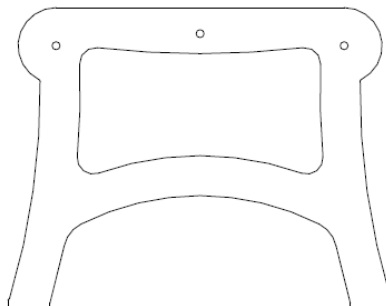
Tools Needed

- Ratchet with 9/16" socket
- 9/16" Wrench
- Level
- #4 Phillips Screwdriver



BENCH

SUPPORT LEG



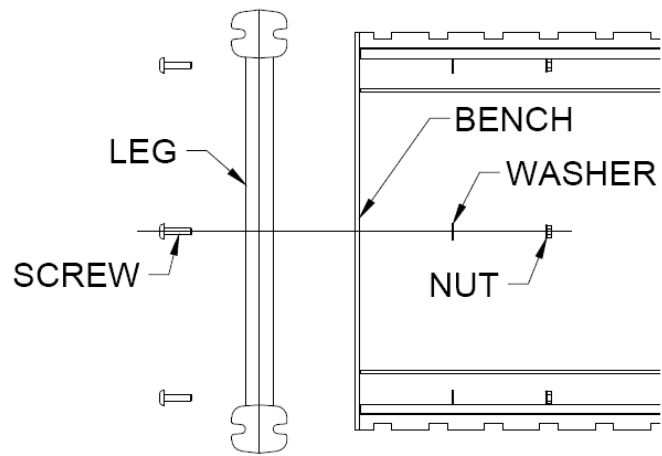


Diagram #1

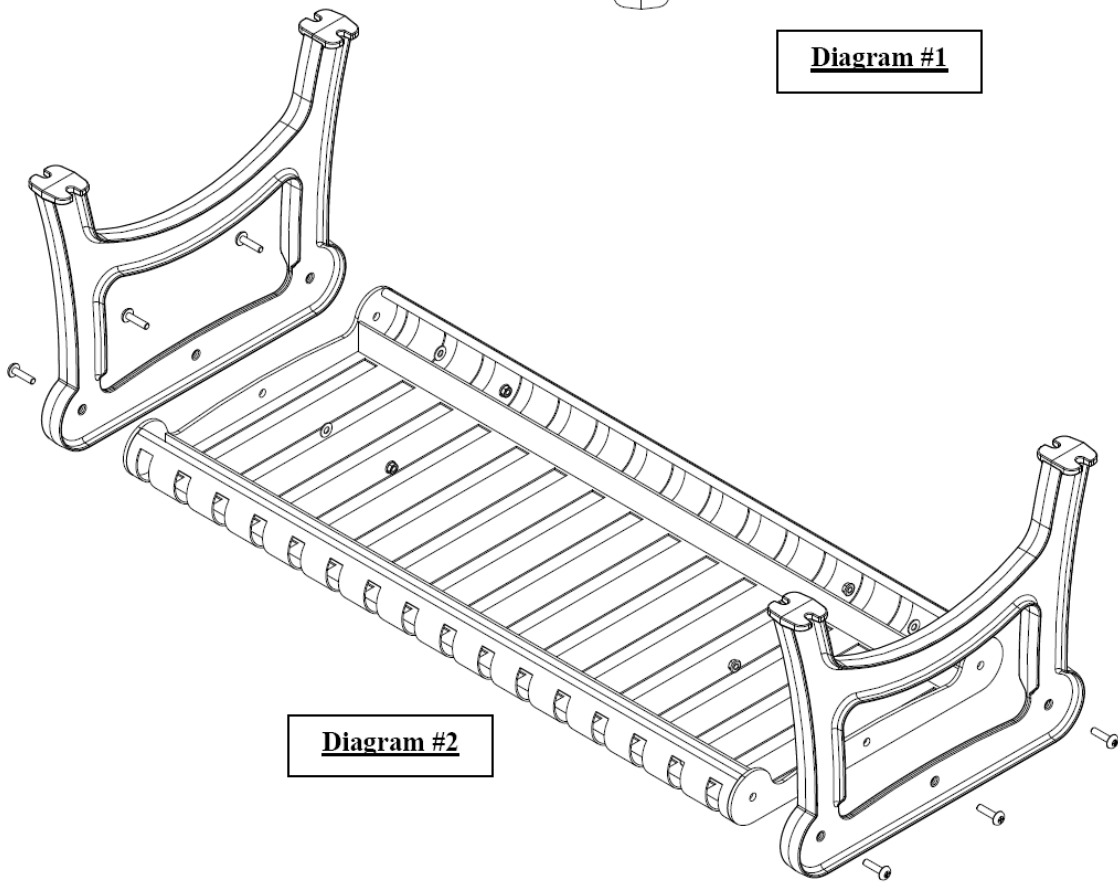


Diagram #2

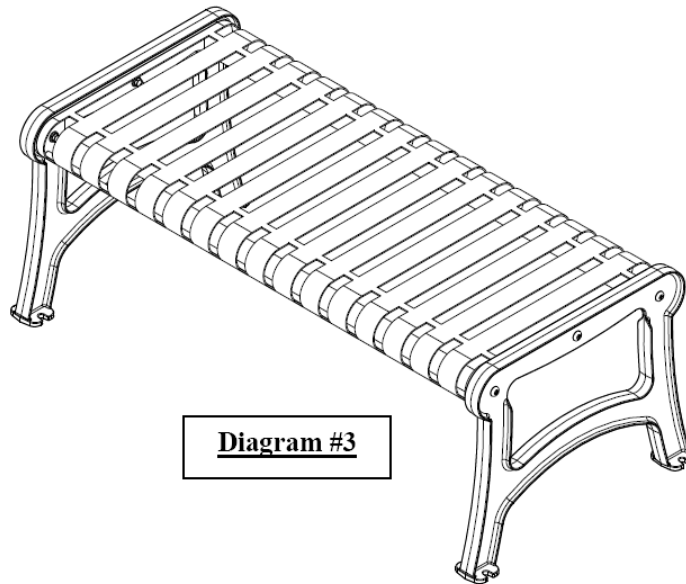


Diagram #3

Note:

1. Place bench upside down on packing material on a level surface.
2. Bring a support leg close and raise one end of the bench until it is near assembly level. Slide the support leg under the bench and align the bench and support leg holes.
3. Insert 3/8" X 1-1/2" in holes with head towards outside surface of leg. Install a washer and nut on the inside of the leg as shown in Diagram #1 and Diagram #2. Leave hardware finger tight.
4. Repeat steps 2 and 3 for the other leg so that both legs are attached to the bench.
5. Flip the bench over and level the bench.
6. Tighten all hardware. **NOTE: To avoid possible coating damage around the support leg holes, try to keep the screw from rotating. Only rotate the nut to tighten the hardware.** Retighten the hardware two weeks after initial assembly.
7. Diagram #3 shows the completed assembly.



WARNING

- Furniture must not be used other than for its intended purpose and should be inspected regularly for loose, missing, or broken hardware, and general instability.
- Furniture that is damaged or appears to be unstable must be removed from service and be repaired or replaced.
- Repairs must be made using only factory authorized parts and methods.

CARE AND MAINTENANCE

- Do not drag the assembled unit across any surface.
- This product requires only periodic cleaning with a sponge and a solution of mild detergent and water to remove surface dirt. Do not clean with a solvent or petroleum based products.

