

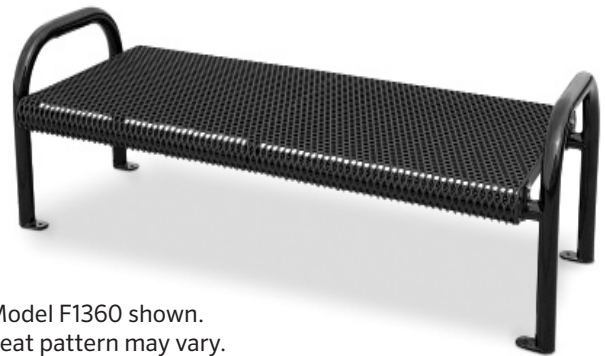


anovafurnishings.com

888.535.5005 tel

ASSEMBLY INSTRUCTIONS

F1360	6 ft Ultra Flat Bench
F1389	4 ft Ultra Flat Bench
D1360	6 ft Ultra Flat Bench
D6011	6 ft Rally Flat Bench

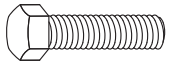


Model F1360 shown.
Seat pattern may vary.

TOOLS NEEDED:

- Ratchet with 3/4" Socket

ASSEMBLY HARDWARE:



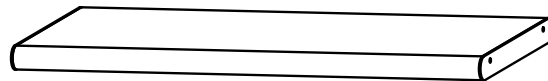
4 X 1/2 -13 x 1.5"
Hex Head Bolt



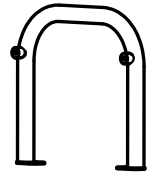
4 X Spring
Washer



4 X 1/2"
Flat Washer



1 X Bench Seat



2 X Bench Support

ASSEMBLY:

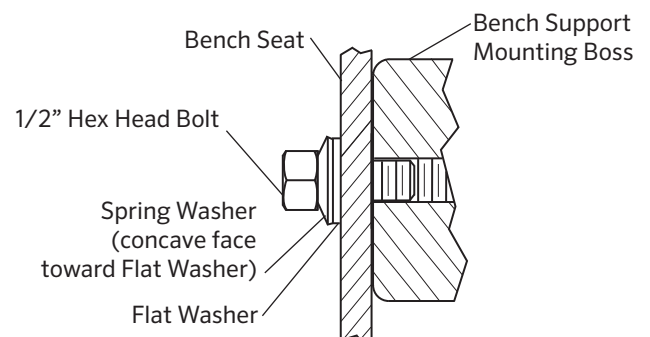
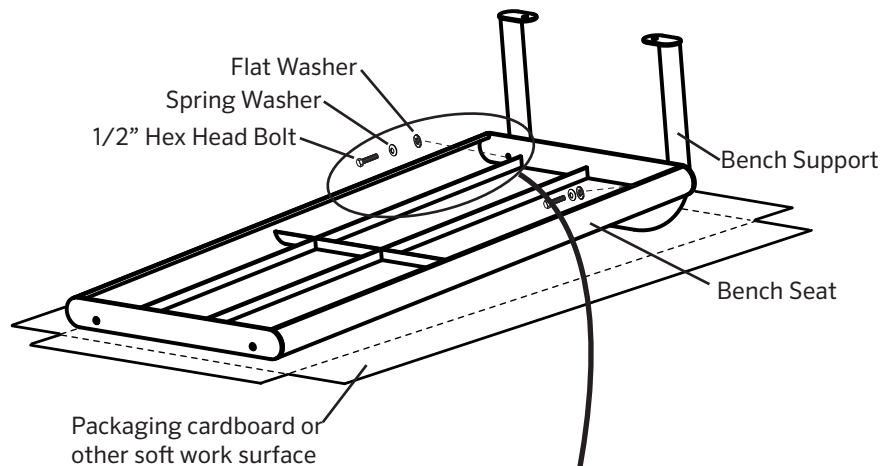
The assembly is a two-person operation.

1. Inspect the shipping container contents for damage and to determine that all components and hardware are present.
2. Locate one of the Bench Supports and the Bench Seat and lay them out on the packing cardboard or other soft surfaced workspace.

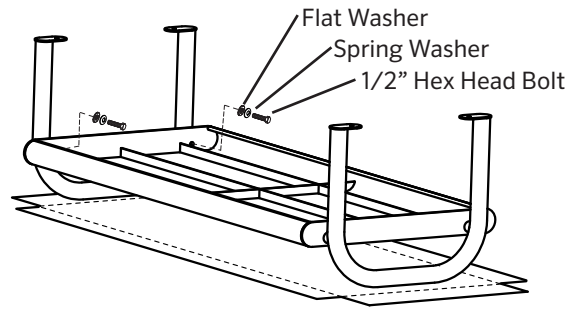
3. Turn the Bench Seat upside down. Align the mounting holes in the mounting bosses of the Bench Support with the holes in one end of the Bench Seat. Install one of the Spring Washers, then one of the Flat Washers onto one of the 1/2" x 1.5" Hex Head Bolts. Make sure the concave face of the Spring Washer is toward the Flat Washer. Insert the Bolt through the Bench Seat and thread it into the Bench Support. Leave the Bolt finger tight.

Repeat this for the other mounting hole on the same end of the Bench Seat.

After both Bolts are installed, use the Ratchet with 3/4" Socket to tighten the Bolts.

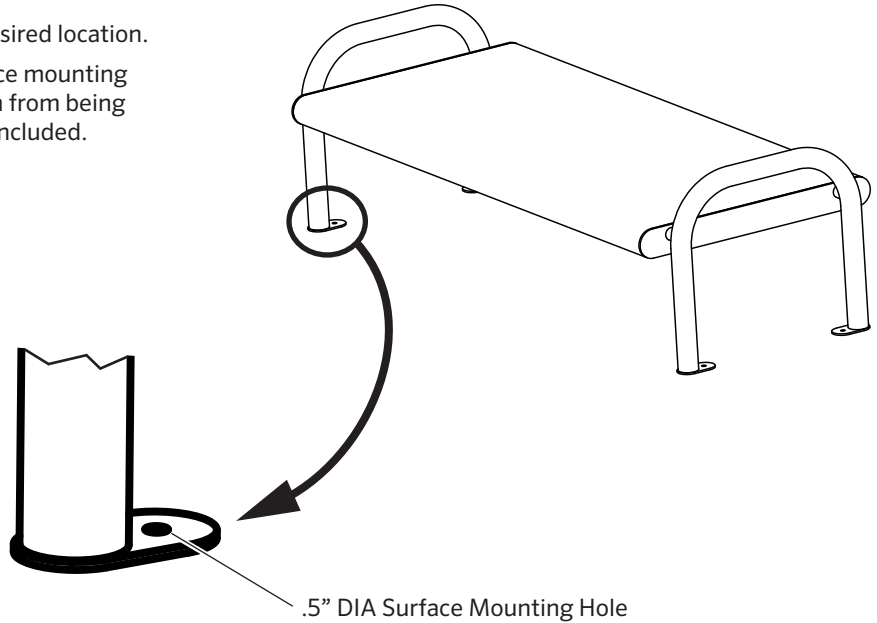


4. Repeat for the two mounting holes on the other side of the Bench Seat.



5. Turn the bench upright and move it to the desired location.

NOTE: The Bench Feet have .5" diameter surface mounting holes in case you want to prevent the bench from being moved. Surface mounting hardware is not included.



WARNING

- Furniture must not be used other than for its intended purpose and should be inspected regularly for loose, missing, or broken hardware, and general instability.
- Furniture that is damaged or appears to be unstable must be removed from service and be repaired or replaced.
- Repairs must be made using only factory authorized parts and methods.

CARE AND MAINTENANCE

- Do not drag the assembled unit across any surface.
- This product requires only periodic cleaning with a sponge and a solution of mild detergent and water to remove surface dirt. Do not clean with a solvent or petroleum based products.



211 North Lindbergh Blvd.
St. Louis, MO 63141

tel: 888.535.5005
web: anovafurnishings.com